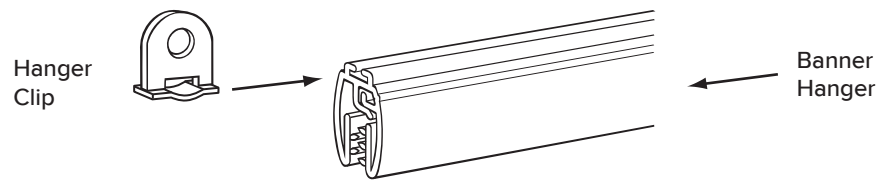
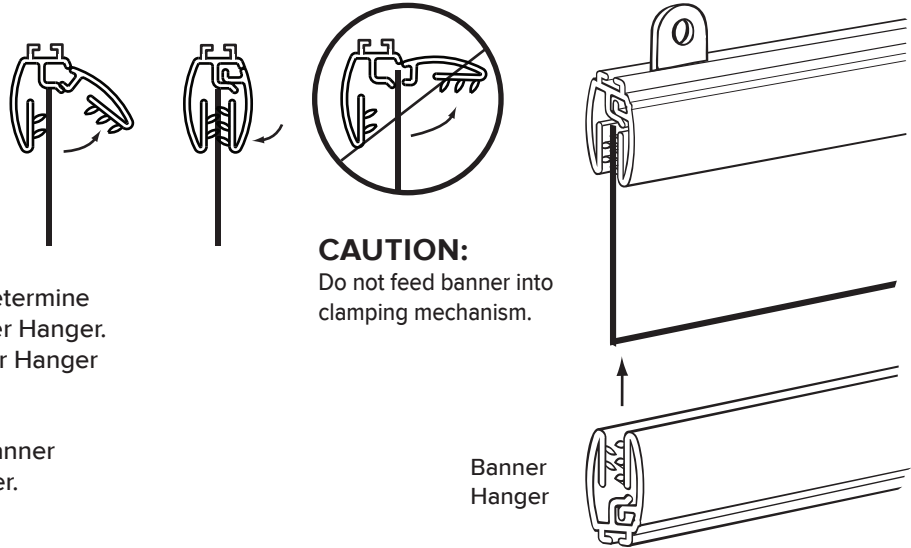


Mercury™ Designer Series Banner Hanger with Track Installation Instructions

- ① Slide Hanger Clips into top track of Banner Hanger.



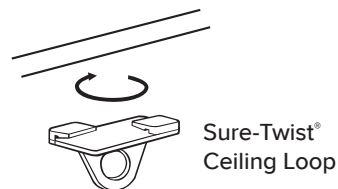
- ② Start at one end of Banner Hanger. Pry open hinged side. Work your way down until banner is open. Insert Banner Hanger, snap shut to lock banner in place.



NOTE: See illustration at right to determine how far to insert banner into Banner Hanger. Inserting banner too far into Banner Hanger may damage its hinge.

- ③ Pry open hinged side of second Banner Hanger and insert bottom of banner. Snap shut to lock banner in place.

- ④ Insert Sure-Twist® Ceiling Loop onto ceiling grid. Twist loop to lock onto ceiling grid.



- ⑤ Insert Double C-Hook through holes of Hanger Clip and Sure-Twist® Ceiling Loop.

Double C-Hook

- ⑥ Installation is complete.

